

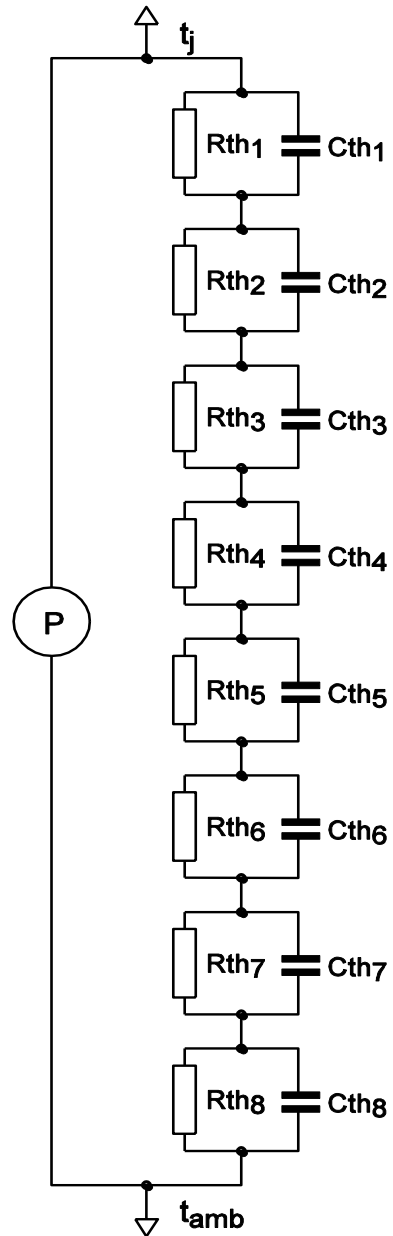
SPICE thermal model

PSMN7R8-100PSE

Symbol	Parameter	Conditions	Min	Typ	Max	Unit
$R_{th(j-mb)}$	thermal resistance from junction to mounting base		-	-	0.51	K/W

C_{th1}	5.937E-05 F
C_{th2}	2.470E-03 F
C_{th3}	1.156E-03 F
C_{th4}	5.632E-03 F
C_{th5}	1.391E-02 F
C_{th6}	3.008E-02 F
C_{th7}	5.660E-01 F
C_{th8}	1.244E+02 F

R_{th1}	7.141E-04 Ω
R_{th2}	5.029E-04 Ω
R_{th3}	8.856E-03 Ω
R_{th4}	1.911E-02 Ω
R_{th5}	8.135E-02 Ω
R_{th6}	2.751E-01 Ω
R_{th7}	1.231E-01 Ω
R_{th8}	1.303E-03 Ω



001aal768

Part: PSMN7R8-100PSE
 Date: 9/10/2014
 Model Rth 0.51 K/W